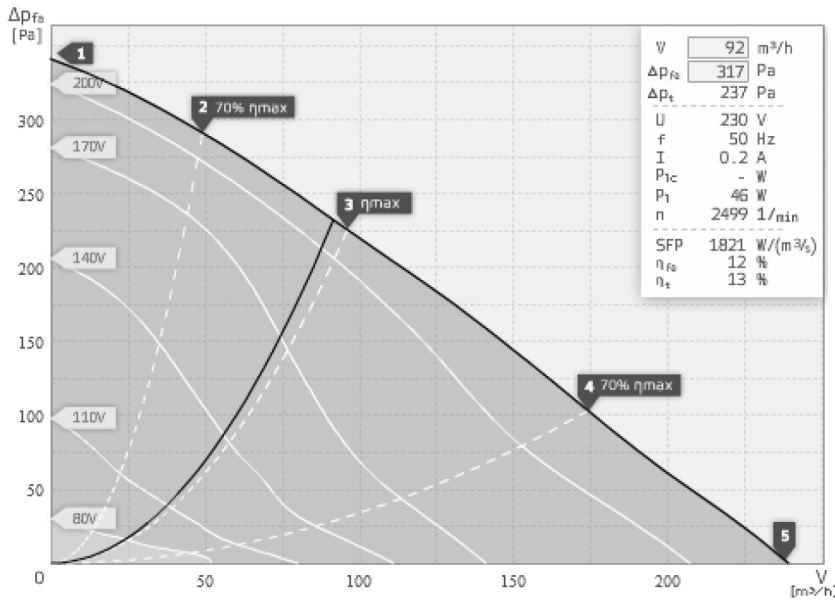


# RK 100 - 240 m<sup>3</sup>/h

## TECHNICAL DATASHEET

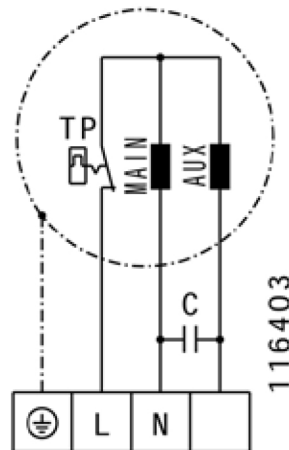
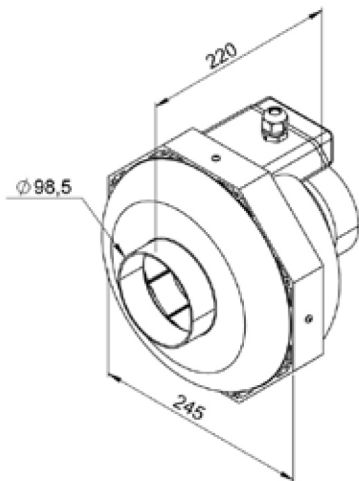


- Backward curved centrifugal fan
- Plastic housing PA6, RAL 7035
- Speed controllable
- Integrated thermal switch
- Incl. terminal box

Operating Point		1	2	3	4	5
Current I	A	0,2	0,2	0,2	0,2	0,2
Power Consumption P1	W	43	43	47	53	55
RPM n	1/min	2673	2628	2481	2185	2127
SPL inlet LWA5	dB(A)	62	62	62	62	63
SPL outlet LWA6	dB(A)	60	60	60	61	64
SPL casing break out LWA2	dB(A)	53	52	52	51	52

Sound power (LW) dB(A)		Medium Frequency Band								
		Σ	63	125	250	500	1k	2k	4k	8k
Inlet	LWA5	61	-	43	56	52	57	54	50	41
Outlet	LWA6	60	-	48	57	49	51	53	49	41
Casing	LWA2	52	-	38	35	43	49	46	40	36

RK 100   104495	
Voltage UN	230 V 1~
Current Imax	0,2
Ambient Temperature tA	70 °C
Medium Temperature tM	70 °C
Speed Control	V
Motor Protection	TMI
Isolation Class	F
Weight	2,2 kg



116403